

Owner's Manual

Dragon 3600 Mobile Furnace

F535, F535-230V, F535-230V UK, F535-230V AU
LEGEND BRANDS, INC.

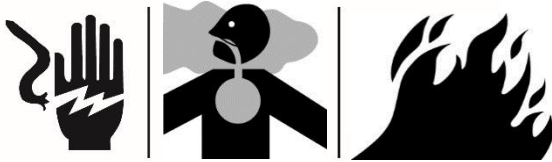
15180 Josh Wilson Road, Burlington, WA 98233
Phone: 800-932-3030 Fax: 360-757-7950 www.LegendBrandsRestoration.com

The Dragon 3600 Mobile Furnace is an indirect fired furnace providing heated air for water damage restoration, structural drying, construction, event shelters and other temporary heating applications.

Patents: <http://www.LBpatents.com>

READ AND SAVE THESE INSTRUCTIONS

WARNING



WARNING! Failure to comply with the instructions and precautions provided in this Owner's Manual can result in death, serious bodily injury, and/or property loss or damage from hazards of fire, explosion, burn, asphyxiation, carbon monoxide poisoning, and/or electrical shock.

WARNING! Do not alter or modify this unit in any way. Use only replacement parts authorized by Dri-Eaz Products, Inc. Modifications or use of unapproved parts could create a hazard and will void your warranty. Contact your authorized Dri-Eaz distributor for assistance.

WARNING! Check the Dragon 3600 for proper air-to-fuel ratio before each use. Failure to adjust for altitude changes could cause injury, permanent damage to the unit and secondary damage when ducting into a structure. It may also void the Dri-Eaz warranty. Refer to "Adjusting for Proper Combustion and Altitude," p. 5, for instructions.

WARNING! Breathing Hazard. Fuel exhaust contains deadly carbon monoxide gas. Operate the Dragon only outdoors in open area. **NEVER** operate indoors or in enclosed spaces.

WARNING! Fire and Explosion Hazard

- Burner produces sparks and flame and unit becomes hot during use.
- Keep away from flammable vapors, such as those from gasoline, paint thinner or solvents.
- Keep away from combustible dusts, such as coal dust or sawdust.

- Keep unit at least 8 ft. / 2 m away from any combustible material.
- Keep children and pets away.
- Diesel fuel is flammable and can be explosive.
- Do not smoke while operating, servicing, or refueling the Dragon.
- Before refueling, turn unit off, allow to cool and then unplug.
- Hot surfaces can ignite fuel vapors.

WARNING! Electric Shock Hazard

- Connect to 115V or 230V power supply as appropriate using either a 12/3 AWG x 50 ft. (15 m) max or 10/3 AWG x 100 ft. (30 m) max extension cord.
- Unit must be grounded. Use only with 3-hole grounded outlet.
- Never modify plug, extension cord or use an adaptor.
- Never operate the unit in pooled or standing water. If electrical components become wet, allow to dry before using.

Product identification

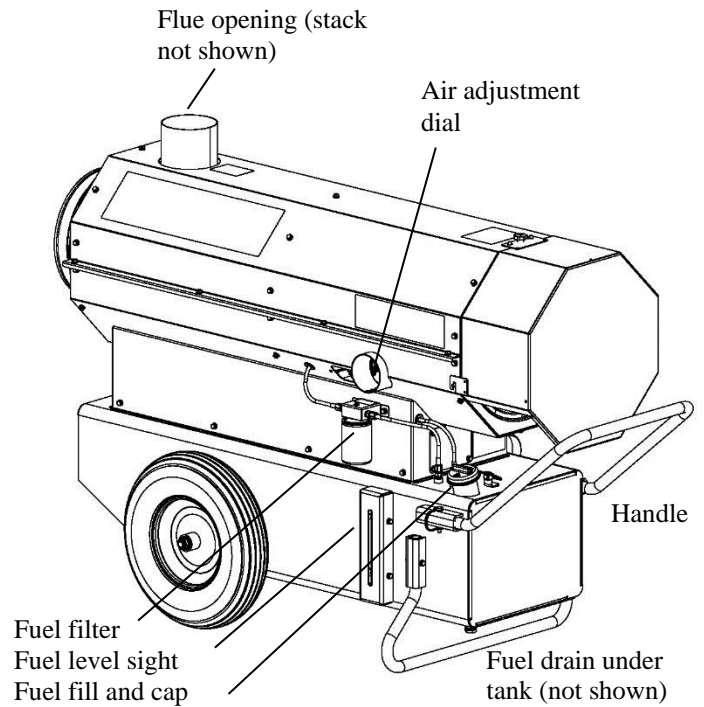
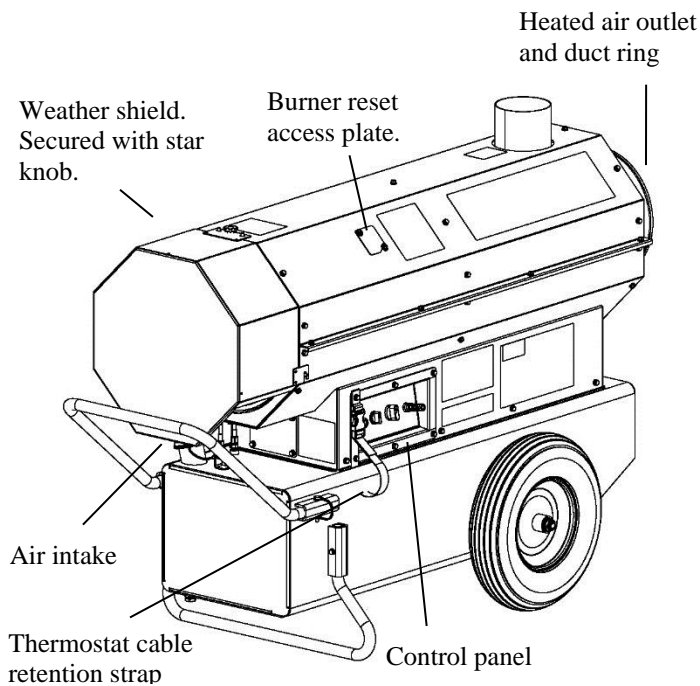
An identification plate is attached to the side of the unit. The plate shows the year of production, serial number, electrical supply requirements, airflow, fuel capacity, and a production code.

BEFORE YOU BEGIN

Warranty registration

Visit www.LegendBrandsRestoration.com/Warranty to register your purchase. Registration allows us to better assist you with using, maintaining or servicing your equipment and to contact you in case we have important safety information concerning your Dri-Eaz product. If you determine service is required, have your equipment model, serial number and original proof of purchase available and call your distributor for assistance with obtaining a return material authorization (RMA).

Fig. A: Parts Identification



OVERVIEW

The Dragon 3600 Mobile Furnace is an indirect fired heater. This design keeps combustion air separate from heated air and allows the Dragon to heat air without adding any moisture, fumes or smoke.

The Dragon should always be operated outdoors, and should utilize outside air for combustion. An electric fan directs this heated air into the structure through ducting. The remote thermostat automatically cycles the Dragon on and off to maintain a preset temperature in the target area.

Principles of Use

The clean, dry heat from the Dragon helps reduce drying times while maintaining stable and comfortable temperatures. The Dragon is ideal for wide range of applications, including

- water damage restoration
- new construction drying
- unheated jobsites
- temporary event shelters
- workshops, storage rooms, and warehouses
- greenhouses and polyurethane tunnels for agriculture
- any situation calling for clean, dry temporary heat

For use in water damage restoration and new construction drying, the Dragon can increase drying efficiency. The added heat from the Dragon will

increase the rate of evaporation by decreasing the relative humidity of the affected area. For example, raising the temperature of a drying area from 60° to 70°F / 15° to 21°C can increase the evaporative potential of your existing drying system up to 45 percent.

For best results when using the Dragon for restoration, you should understand the basic principles of structural drying. You can learn these skills at structural drying courses offered in your region. Contact your local distributor for more information.

GROUNDING INSTRUCTIONS

The Dragon 3600 Mobile Furnace is designed to operate on a 115V/60 Hz or 230V/50 Hz electrical connection. Make sure that the electrical outlet is grounded with three prongs. Use with a grounded extension cord intended for outdoor use and rated to deliver enough power to the Dragon.

WARNING! Improper connection of the equipment-grounding conductor can result in a risk of electric shock. Check with a qualified electrician or service person if you are in doubt as to whether the outlets are properly grounded. Do not modify the plugs provided with the appliance – if the plugs do not fit the outlets, have proper outlets installed by a qualified electrician.

This equipment is for use on circuits with a nominal rating of no more than 120V or 240V.

This unit is intended for household and commercial use.

HANDLE THE UNIT CAREFULLY

Always operate the unit on a stable, level surface. Do not drop, throw, or place where it could fall. Rough treatment can damage the unit, and may create a hazardous condition or void the warranty.

FUEL TYPE

The Dragon is designed to operate on diesel fuel. In cold weather, see “Cold weather recommendations” below.

WARNING: Failure to use diesel fuel as specified could cause injury and permanent damage to the unit. It may also void the Dri-Eaz warranty.

For best results, purchase fresh fuel from a reliable fuel distributor. Keep the Dragon fuel tank full to help prevent the formation of condensation inside the tank. When not using the Dragon for extended periods of time, we recommend the addition of a diesel fuel stabilizer.

Cold weather recommendations

To optimize fuel quality and improve performance in cold conditions use a diesel fuel stabilizer. Follow product instructions.

Increasing temperature rise

In normal operating conditions (above 35°F/2°C), the weather shield can be removed when operating the Dragon. However, when operating the Dragon in extremely low outdoor temperatures (below 35°F / 2°C) the temperature of the heated air can be increased by leaving the weather shield in place during operation. Note that removing the weather shield increases airflow by about 100 CFM / 680 m³/hr but will reduce the Dragon’s heat output.

BEFORE FIRST USE

ATTENTION: Installation of the unit shall be in accordance with the regulations of the authorities having jurisdiction.

Tools required

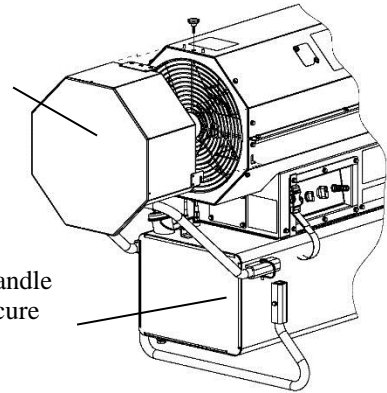
- 10 mm wrench or socket and handle
- Flat-blade screwdriver
- 7/8 in. wrench for drain plug

The unit is shipped with an Accessory Kit that includes the following 1) Heat outlet duct ring, 2) 25 ft. / 7.6 m of heat resistant semi-rigid ducting, 3) a handle and 2 locking clevis pins, 4) weather shield, and 5) exhaust stack and rain cap. A heat sensor cable is permanently attached to the unit and is ready for use.

Fig. B: Weather Shield and Handle Installation

Weather Shield:

Place lower brackets over posts and lower shield into place. Secure with star knob.



Handle: Slide handle into slots and secure with clevis pins provided.

Install Handle

Insert handle into slots on the sides of the fuel tank. Insert clevis pins on both sides and secure with clip. See Fig. B.

Install Heat Outlet Duct Ring

Install on the heat outlet using the 8 screws provided.

Install Weather Shield

Place shield over lower posts first, then lower into place over the the two upper pegs and tighten star knob. See Fig. B.

Setting up the Dragon

Choosing a location

WARNING! Use the Dragon outdoors only. Place the unit on a level, stable surface. Be sure to chock the wheels securely to prevent the unit from rolling. Choose a location away from high-traffic areas, children and pets, and ensure there are no obstructions to the air intake.

NOTICE: Keep air intake vents clean and clear of any obstruction. Avoid setting up unit in a location where the intake could be blocked or restricted. Blocking the air intake will cause the unit to produce sooty exhaust, potentially damaging the unit and the structure being heated.

NOTICE: Install and operate the Dragon in accordance with all local and regional regulations.

Fill the fuel tank

The Dragon is shipped with the fuel tank empty. Before operating, fill the tank with diesel. Do not overfill.

In freezing conditions, see “Cold weather recommendations,” p. 3.

NOTICE: Never use gasoline or crankcase drainings for fuel.

NOTICE: Do not open the fuel cap or fill the tank while the unit is operating.

Attach exhaust stack

Before operating the Dragon, affix the provided exhaust stack with rain cap to the flue opening by slipping the stack over the flue opening (Fig. A). If the stack does not fit snugly, drive small sheet metal screws through the base of the stack into the exhaust outlet to secure the stack. To prevent damage to the unit, remove the stack when transporting the Dragon.

NOTICE: Do not operate the Dragon without the exhaust stack in place. The flue pipe must be at least two feet long and provide sufficient draft to assure safe and proper operation of the heater.

Install ducting

1. Attach the ducting on the heated air outlet (Fig. A) and secure it with the clamp provided.
2. Place the other end of the ducting into a suitable inlet in the structure.

Place thermostat sensor

Place the thermostat sensor into the space being heated. For more accurate control, we recommend placing the sensor in an area where the air is flowing freely. The burner will automatically turn off when the temperature in the monitored area reaches the setpoint, or a maximum of 105°F (41°C), in order to help operators comply with the RIA Safe Harbor clause.

Plug in unit

Use an extension cord to connect the unit to a 115V circuit rated for at least 10 amps. 230V units should be connected to circuits rated for at least 10 amps. On 115V units, the cord plug will glow when electricity is present.

OPERATING THE DRAGON

Inspect before operation

WARNING! Before starting the Dragon:

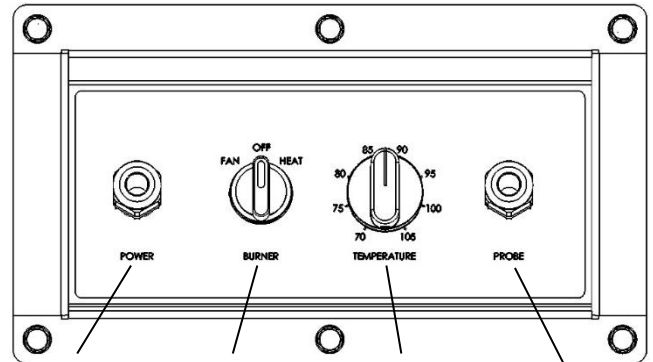
- Check for any fuel leaks around the fuel tank or fuel lines.
- Check for nearby hazards like combustible materials or flammable vapor sources.
- Check the power cord for damage.

Correct these and any other safety hazards before starting the Dragon.

Starting the Dragon

1. Check the fuel tank. See Fuel Type (see p. 3) for fuel requirements.

Fig. C: Control Panel



Power cord connection

Control knob

Temperature control knob

Thermostat sensor cable connection

2. Turn the CONTROL KNOB to the Heat position (Fig. C).

You will hear the burner ignite. The burner will operate a few minutes until the internal heat exchanger reaches operating temperature. Then the fan will turn on and the unit will begin producing heat.

NOTE: It is normal to see a small amount of smoke when starting or stopping the unit. If smoke continues for more than a few seconds, turn off the unit and see "Adjusting for proper combustion and altitude," p. 5.

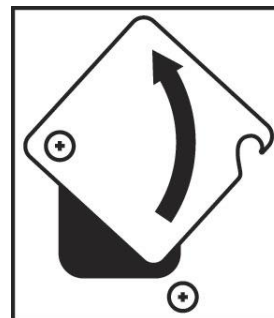
NOTE: At temperatures of 35°F / 2°C or below, **wait 25–30 minutes after plugging in the unit before turning the CONTROL KNOB to Heat.** This allows time for the burner nozzle preheater to bring the fuel up to the correct operating temperature. The preheating feature is not available on 230V units.

NOTICE. Monitor the settings on the Dragon and conditions in the structure at least once a day to ensure proper operation.

Controlling the temperature

Set the desired temperature F on the THERMOSTAT control from a range of 70°–105°F / 21°–41°C.

Fig. D: Access Cover, Burner Reset Button



Loosen both bolts and pivot cover as shown to access Burner Reset Button inside. Close cover and retighten bolts when finished.

Continuous Fan-Only operation

To provide continuous unheated air, set the CONTROL KNOB to the Fan position. The burner does not operate in this mode.

NOTICE: Physically check the Dragon at least once a day during operation. Check for leaks, and observe the exhaust smoke to ensure that it is still clear. Adjust as necessary for proper operation.

Turning the unit off

Turn the CONTROL KNOB to the "Off" position.

NOTICE: Do not unplug the unit or otherwise turn off the power until the fan stops operating, as this may interrupt the cooling cycle. Failure to let the unit complete the cooling cycle could damage the heat exchanger and will not be covered under warranty.

SPECIAL INSTRUCTIONS

Unit has run out of fuel

WARNING: Replace Burner Access Cover after restarting the unit. Do not operate the unit without the hood securely in place. Serious injury could result.

1. Refill tank with fuel.
2. Verify electrical supply is plugged in.
3. Set thermostat well above room temperature.
4. Switch burner to heat.
5. Loosen cover plate screws and pivot counterclockwise (Fig. D).
6. Press/hold button per Step A (below). If it still does not start, proceed to the next step.

Step A Flashing light Button Click Less than 1 second	Step B Flashing light Button Hold More than 1 second	Step C Steady light Button Hold 15+ seconds
---	--	--

7. If unit does not start after several attempts, consult burner manual for additional instructions.
8. Once unit starts, close and secure cover plate.

Adjusting for proper combustion and altitude

WARNING: The Dragon requires special adjustments when operating at elevations above 6000 ft. (1830 m). These adjustments must be completed by a qualified HVAC technician. Do not operate the Dragon above 6000 ft. without having the unit adjusted by a qualified HVAC technician.

The air/fuel ratio must be properly adjusted at all times. For operation at altitudes below 6000 ft., the air/fuel mixture may be adjusted by the end user as follows:

Failure to follow these recommendations will void the warranty.

The best guide to proper air/fuel mixture is exhaust color. The exhaust should always be clear. Black or white smoke indicates an improper air/fuel mixture:

- a) If the exhaust is *clear*, no adjustment is needed.
- b) If the smoke is *dark* or *black*, there is not enough air in the mixture.
- c) If the smoke is *white*, there is too much air and not enough fuel in the mixture, or there is water in the fuel.

If the smoke color is either *black* or *white*, follow these steps to adjust the air/fuel ratio:

The AIR ADJUSTMENT DIAL (Figs. A, E) is located on the side of the unit above the fuel filter.

1. Loosen bolt and rotate the shutter in the appropriate direction:
 - a) A *larger opening corrects for black smoke* (allows more air into the combustion chamber);
 - b) A *smaller opening corrects for white smoke* (allows less air).
2. Tighten the dial bolt when adjustment is complete

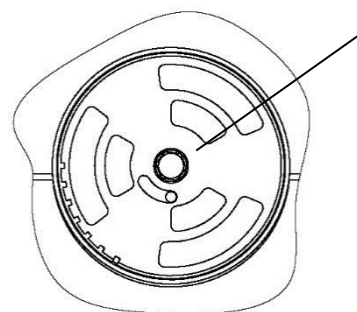
TIP: If the exhaust remains white even after adjusting to the smallest opening, there is probably water in the fuel. You may need to replace the fuel filter and/or clean the fuel tank (see Maintenance, p. 6).

NOTE: It is normal to see a small amount of smoke when starting or stopping the unit.

Thermal overload protection

The unit is automatically protected against internal overheating. If the internal temperature of the heat exchanger exceeds a preset value, the burner will automatically turn off. The blower will continue to operate until the heat exchanger has cooled. Once the exchanger has properly cooled, the burner will automatically come back on and the Dragon will resume normal operation.

Fig. E: Air Adjustment Dial



Loosen center nut to adjust air flow. Retighten nut when finished.

Dial adjustment:



More air



Less air

Note: The most common cause of thermal overload is restricted airflow. To help prevent thermal overload, you should

- Make ducting runs as straight and short as possible
- Keep the ducting unobstructed and free of debris
- Keep the air intake grill unobstructed

MAINTENANCE

Tools required

- 10 mm wrench or socket and handle
- Flat-blade screwdriver
- 7/8 in. wrench for drain plug

NOTICE: Always turn unit off and unplug before performing any maintenance.

DESCRIPTION	INTERVAL
1. Clean the fuel tank.	Yearly
2. Replace the fuel filter cartridge ¹ clean and inspect entire fuel filter unit..	As needed/Yearly
3. Service the burner, heat exchanger, and combustion chamber.	Yearly. HVAC technician only.
4. Clean the housing	As needed/Yearly

1. Clean the fuel tank.

- Place an appropriate container beneath the drain plug to catch any fuel.
- Remove the drain plug with a wrench.
- Allow the tank to drain completely.
- Replace the drain plug.
- Dispose of waste fuel in accordance with local regulations.

WARNING! Diesel fuel is flammable and potentially explosive. Always turn off and unplug the Dragon before draining the fuel tank. Keep away from open flame.

2. Replace the fuel filter

Replace cartridge annually or sooner when clogged. Clean and inspect entire unit inside and out annually. Replace entire unit in 10 years or sooner if corroded. Replacement fuel filter elements may be purchased from a variety of online retailers. Approved elements: F15-36, F15-48, F10-48. When servicing the filter, have rags or paper towels on hand to clean up any spills, and dispose of the filter and waste fuel according to local regulations.

3. Service the burner, heat exchanger and combustion chamber

These components should be inspected and serviced once a year by a qualified HVAC technician. Contact your local distributor for the location of a service center near you.

4. Clean the housing

Use a cleaner with a degreasing agent such as Unsmoke Degrease-All to clean the housing as needed.

Service

For parts and service contact your local distributor. Copies of the Dragon manual and related information are available at www.LegendBrandsRestoration.com. Go to www.LegendBrandsRestoration.com/Warranty to register your purchase.



WARNING: This product and other substances that may become airborne from its use contain chemicals, including lead and phthalates, known to the State of California to cause cancer, birth defects, or other reproductive harm. For more information, go to P65Warnings.ca.gov

Accessories Included

- 1 25 ft. / 7.6 m section of 12 in. / 30 cm high-temperature ducting.
- 1 Hinged buckle ducting clamp

- 1 50 ft. / 15.3 m thermostat sensor cable with sensor.
- 1 Exhaust stack and rain cap
- 1 Owner's Manual

SPECIFICATIONS

Model	Dragon 3600 Portable Heater F535 115V	Dragon 3600 Portable Heater F535-230V, F535-230V UK, F535-230V AU
Dimensions (H x W x L)	42.5 x 23.7 x 65.1 in. 1.1 x 0.6 x 1.7 m	42.5 x 23.7 x 65.1 in. 1.1 x 0.6 x 1.7 m
Weight (empty)	250 lbs. 113.4 kg	250 lbs. 113.4 kg
Weight (full)	495 lbs. 224.5 kg	495 lbs. 224.5 kg
Power	9.2 amps, 115 volt, 60 Hz	3.6 amps, 230 volt, 50 Hz
Net heat output	120,000 BTU/hr 35.2 kWh	120,000 BTU/hr 35.2 kWh
Airflow	680 CFM with weather shield 780 CFM without weather shield	640 CFM with weather shield 750 CFM without weather shield
Sound level (avg.)	80.2 dB with weather shield 82.5 dB without weather shield	80.2 dB with weather shield 82.5 dB without weather shield
Static pressure (max.)	0.50 in. H ₂ O 125 Pa	0.50 in. H ₂ O 125 Pa
Fuel tank capacity (max.)	32 gal. 121 L	32 gal. 121 L
Fuel type	Diesel	Diesel
Fuel consumption rate	.80 gal/hr 3.1 L/hr	.80 gal./hr 3.1 L/hr
Fuel pump pressure	140 psi 965.3 kPa	140 psi 965.3 kPa

Manual del Usuario Caldera Móvil Dragon 3600

Modelo F535, F535-230V, F535-230V UK, F535-230V AU
LEGEND BRANDS, INC.

15180 Josh Wilson Road, Burlington, WA 98233

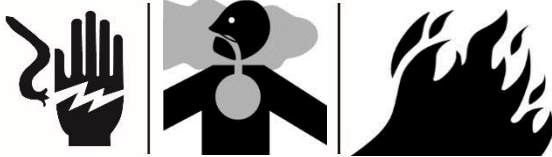
Teléfono: 800-932-3030 Fax: 360-757-7950 www.LegendBrandsRestoration.com

La Caldera Móvil Dragon 3600 es una caldera de fuego indirecto que provee aire caliente para reparación de daños causados por agua, secado estructural, construcción, carpas para eventos y otros usos de calefacción temporaria.

Patents: <http://www.LBpatents.com>

LEA Y CONSERVE ESTAS INSTRUCCIONES

ADVERTENCIA



¡ADVERTENCIA! El no cumplimiento de algunas de las instrucciones y precauciones provistas en este Manual de Usuario podrá provocar la muerte, lesiones corporales graves y/o pérdidas o daños sobre la propiedad, debido a riesgos de explosión, incendio, quemaduras, asfixia, envenenamiento por monóxido de carbono y/o shock eléctrico.

¡ADVERTENCIA! No altere ni modifique de ninguna manera esta unidad. Use sólo repuestos autorizados por Dri-Eaz Products, Inc. Cualquier modificación o uso de piezas no aprobadas puede generar un peligro y hará caducar su garantía. Si necesita asistencia, póngase en contacto con su distribuidor autorizado de Dri-Eaz.

¡ADVERTENCIA! Antes de cada uso, verifique su Dragon 3600 para asegurarse de que tiene la adecuada tasa de aire-combustible. La omisión de este ajuste ante cambios de altitud puede provocar lesiones, daños permanentes a la unidad y daños secundarios cuando se la conduce hacia una estructura. También puede caducar la garantía de Dri-Eaz. Consulte "Ajustes según la altitud", pág. 12.

¡ADVERTENCIA! Peligro para la respiración. Las emisiones contienen gas letal de monóxido de carbono. Utilizar sólo en exteriores en áreas abiertas. **NUNCA** adentro o en espacios cerrados.

¡ADVERTENCIA! Peligro de incendio y explosión

- El quemador produce chispas y llamas, y la unidad se calienta durante su uso.

- Mantener alejada de vapores inflamables, como el de gasolina, diluyentes o solventes.
- Mantener alejada de polvillo combustibles, como polvo de carbón o aserrín.
- Mantener la unidad al menos a 8 pies (2 m) de cualquier material combustible.
- Mantener alejada de niños y mascotas.
- El gasoil es inflamable y puede ser explosivo.
- No fumar mientras se opera, se repara o se recarga combustible a la Dragon.
- Antes de recargar combustible, apague la unidad, permita que se enfríe y luego desenchúfela.
- Las superficies calientes pueden encender vapores combustibles.

¡ADVERTENCIA! Peligro de shock eléctrico

- Conectar a suministro de 115V or 230V usando cable prolongador de 12/3 AWG x 50 pies (15 m) máx., ó 10/3 AWG x 100 pies (30 m) máx.
- La unidad debe contar con puesta a tierra. Use sólo tomas de tres orificios.
- Nunca modificar el enchufe o el cable extensible ni utilizar un adaptador.
- Nunca opere la unidad sobre agua estancada. Si se mojaran los componentes eléctricos, permita que se sequen antes de utilizar.

Identificación del producto

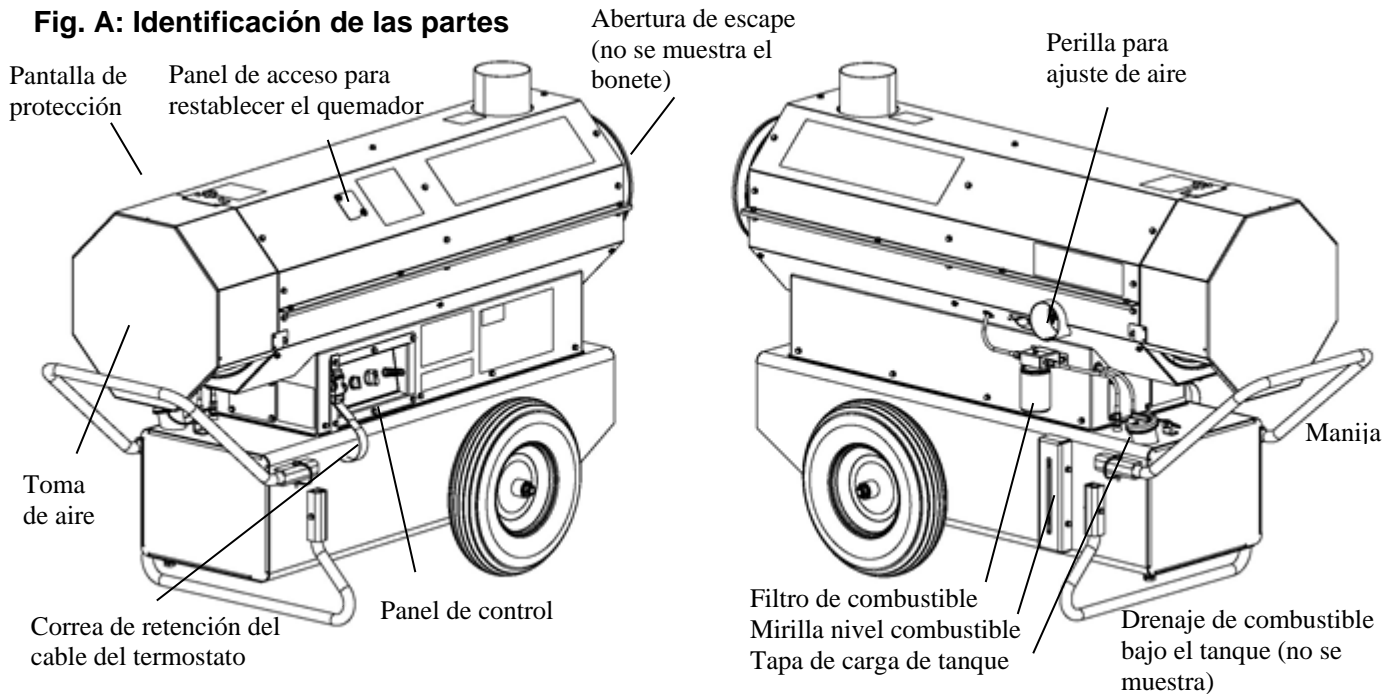
Al costado de la unidad se incluye una placa de identificación. Muestra el año de producción, número de serie, requisitos de suministro eléctrico, flujo de aire, capacidad de combustible y código de producción.

ANTES DE INICIAR

Registrar la garantía

Visite www.LegendBrandsRestoration.com/Warranty para registrar su compra. Así nos permitirá asistirle de mejor manera en lo referido al uso, mantenimiento o reparación de su equipo, y para contactarlo en caso de que tengamos información de seguridad importante en relación a su producto Dri-Eaz. Si cree que es necesaria una reparación, tenga consigo el modelo de

Fig. A: Identificación de las partes



su equipo, número de serie y comprobante original de compra, y llame a su distribuidor para pedirle asistencia con la obtención de una autorización de devolución (RMA).

INTRODUCCIÓN GENERAL

La Caldera Móvil Dragon 3600 es un calentador de fuego indirecto. Este diseño mantiene el aire de la combustión separado del aire caliente y le permite calefaccionar sin emitir gases, humos ni humedad.

La Dragon siempre debe ser operada en exteriores, y utilizar aire externo para su combustión. Un ventilador eléctrico dirige este aire calentado hacia la estructura a través de un conducto. El termostato remoto enciende y apaga automáticamente la Dragon para mantener la temperatura prefijada en el área destino.

Principios del uso

El calor limpio y seco de la Dragon ayuda a reducir los tiempos de secado, y mantiene temperaturas cómodas y estables. Es ideal para una variedad de aplicaciones, incluyendo:

- reparación de daños por agua
- secado de construcciones
- sitios de trabajo no calefaccionados
- carpas para eventos temporarios
- talleres, depósitos, almacenes
- invernaderos y túneles de poliuretano para el agro
- cualquier situación que necesite de calor temporario limpio y seco

Usada para la reparación de daños causados por el agua y para el secado de nuevas construcciones, la Dragon puede incrementar la eficiencia del secado. El calor que brinda elevará la tasa de evaporación, al

disminuir la humedad relativa del área afectada. Subir la temperatura del sector a secar, de 60° a 70°F (15° a 21°C) con la Dragon incrementará la tasa de evaporación al bajar la humedad relativa del área afectada. También podrá elevar en hasta 45% el potencial de evaporación de su sistema de secado.

Usted puede aprender estas habilidades en los cursos de secado estructurales ofrecidos en su región. Póngase en contacto con su distribuidor local para obtener más información.

PUESTA A TIERRA

La Caldera Móvil Dragon 3600 está diseñada para una conexión eléctrica de 115V/60 Hz 230V/50Hz Asegúrese de que el tomacorriente tiene puesta a tierra con tres jabalinas. Utilice un prolongador con puesta a tierra apto para uso exterior y con el rango correcto para transmitir suficiente energía a la Dragon.

¡ADVERTENCIA! Una inadecuada instalación del conductor a tierra puede generar riesgo de shock eléctrico. En caso de dudas sobre si los tomas tienen puesta a tierra, hágalos controlar por un electricista calificado o personal de servicio. No modificar los enchufes provistos con el artefacto: si no coinciden con los tomacorrientes, haga que un electricista calificado instale otros.

Este equipamiento es para ser usado en circuitos con una potencia nominal no superior a 120V or 240V. Fue pensada para uso domiciliario y comercial.

MANIPULE LA UNIDAD CON CUIDADO

Opere siempre la unidad sobre una superficie estable y a nivel. No la suelte, arroje, ni ubique en un lugar donde se pueda caer. Un trato descuidado podría

dañar la unidad y generar una situación peligrosa o anular la garantía.

TIPO DE COMBUSTIBLE

La Dragon está diseñada para funcionar con gasoil. En temperaturas bajas, consulte más abajo las "Recomendaciones para clima frío".

ADVERTENCIA: La no utilización de gasoil según se especifica podrá provocar lesiones y daños permanentes a la unidad. También puede hacer caducar la garantía de Dri-Eaz.

Para obtener mejores resultados, adquiera combustible fresco de un proveedor confiable. Mantenga lleno el tanque de la Dragon para evitar la condensación en su interior. Cuando no fuera a usar la Dragon por un mucho tiempo, recomendamos añadirle estabilizador de combustible diésel según se indicaciones.

Recomendaciones ante bajas temperaturas

Para optimizar la calidad del combustible y mejorar el rendimiento en condiciones frías, use un estabilizador de combustible diesel. Siga las instrucciones del producto.

Incrementar la temperatura

Bajo condiciones operativas normales (por encima de 35°F / 2°C), se puede retirar la pantalla protectora cuando se utiliza la Dragon. Pero cuando la unidad se halla en temperaturas exteriores extremadamente bajas (menos de 35°F / 2°C), se puede incrementar la temperatura del aire caliente dejando la pantalla protectora durante el funcionamiento. Tenga en cuenta que al quitar esta pantalla se incrementa el flujo de aire en unas 100 CFM / 680 m³/hr, pero se reducirá el calor de la salida.

ANTES DEL PRIMER USO

La unidad es entregada con un Kit de Accesorios que incluye lo siguiente: 1) junta de conducto de salida de calor, 2) 25 pies / 7,6 m de conducto semi-rígido resistente al calor, 3) una manija con dos pasadores horquilla de sujeción, 4) pantalla protectora, y 5) bonete de salida de escape y anti-lluvia. El cable sensor de temperatura se halla continuamente sujetado a la unidad y está listo para su uso.

Instalar la Manija

Introducir la manija en las ranuras a los costados del tanque. Insertar los pasadores horquilla en ambos lados y asegurar con el clip. Ver Fig. B.

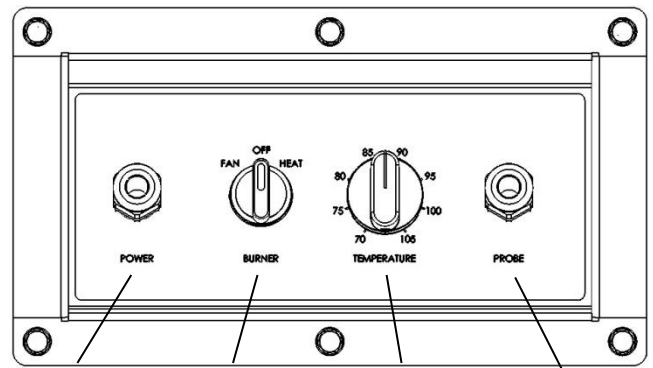
Instalar la Junta del Conducto de Salida de Calor

Instalar en la salida de calor, usando tornillos provistos.

Instalar la Pantalla Protectora

Colocarla sobre los soportes inferiores, y luego bajarla hasta que traben en las dos clavijas superiores. Fig. B.

Fig. C: Panel de Control



Conexión del cable de energía

Perilla de control

Perilla de control de temperatura

Cable del sensor del termostato

Preparar la Dragon

Escoger una ubicación

¡ADVERTENCIA! Usar sólo en exteriores. Colocar la unidad sobre una superficie estable y a nivel. Trabar bien las ruedas para evitar que la unidad se desplace. Elija una ubicación alejada de áreas de alto tránsito y de niños o mascotas, y asegúrese de que no haya obstrucciones en la toma de aire.

ATENCIÓN: Mantenga las ventilaciones de toma de aire limpias y libres de obstrucciones. Evite colocar la unidad en un lugar en el cual la toma de aire pudiera bloquearse o ser restringida. Tal situación provocará que la unidad genere salida de hollín, potencialmente dañino de la unidad y de la estructura que está siendo calentada.

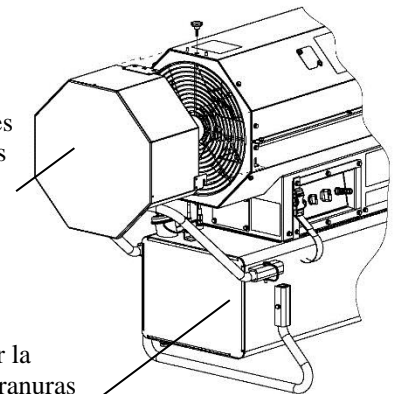
ATENCIÓN: Instalar y operar la Dragon de acuerdo con las normas locales y regionales.

Fig. B: Instalación de la Pantalla Protectora y la Manija

Pantalla de Protección:

coloque los ganchos inferiores sobre las entradas y descíndalo hasta su lugar. Ajustar con la perilla en cruz.

Manija: Deslizar la manija sobre las ranuras y ajustar los pasadores horquilla



Llenar el tanque de combustible

La Dragon es entregada con su tanque vacío. Antes de usarla, llene el tanque con gasoil, sin excederse.

Bajo condiciones de congelamiento, consultar "Recomendaciones ante bajas temperaturas" p. 10.

ATENCIÓN: Nunca utilizar gasolina ni aceite usado como combustible.

ATENCIÓN: No abrir la tapa del tanque ni llenarlo cuando la unidad esté funcionando.

Colocar bonete de salida

Antes de hacer funcionar la Dragon, coloque en la salida de emisiones el bonete con protección anti-lluvia provisto, deslizándolo sobre la abertura (Fig. A). Si el bonete no calza perfecto, ajuste los pequeños tornillos para metal en su base para asegurarlo. Con el fin de evitar daños a la unidad, retire el bonete cuando la esté transportando.

ATENCIÓN: No operar la Dragon sin el bonete colocado en su lugar.

Instalar el conducto

1. Colocar el conducto en la salida de aire caliente (Fig. A) y asegurar con la abrazadera provista.
2. Colocar el otro extremo del conducto en una entrada adecuada en la estructura.

Colocar el sensor del termostato

Colocar el sensor del termostato en el espacio a ser calefaccionado. Para un más preciso control, recomendamos colocar el sensor en un sector donde haya flujo de aire. El quemador se apagará de manera automática cuando la temperatura del área elegida alcance la que haya sido fijada, o bien un máximo de 105°F (41°C), a los efectos de ayudar a los operarios a cumplir con la cláusula RIA Safe Harbor.

Enchufar la unidad

Utilice un prolongador para conectar la unidad a un circuito 115V con al menos 10 amp. Unidades de 230V deben estar conectados a circuitos clasificados a por lo menos 10 amperios. En las unidades de 115V, la clavija del cable se ilumina cuando la electricidad está presente.

OPERAR LA DRAGON

Inspeccionar antes poner en marcha

¡**ADVERTENCIA!** Antes de iniciar la Dragon:

- Verifique si hay derrames de gasoil alrededor del tanque o en los conductos.
- Controlar si hay amenazas cerca, como materiales combustibles o fuentes de vapores inflamables.
- Verificar si tiene daños el cable de energía.

Antes de poner en marcha la Dragon, resuelva éstas y toda otra situación que ponga en riesgo la seguridad.

Poner en marcha la Dragon

1. Verifique el tanque de combustible. Consultar la sección Tipo de Combustible (p. 10).
2. Poner la PERILLA DE CONTROL en posición Heat (Calor - Fig. C).

Oirá que el quemador se enciende. Funcionará durante unos minutos hasta que el intercambiador de calor interno llegue a la temperatura operativa. Luego se encenderá el ventilador y la unidad estará generando calor.

NOTA: Cuando se pone en marcha la unidad o cuando se la apaga, es normal ver una pequeña cantidad de humo. Si continúa por más de unos segundos, apague la unidad y consulte "Ajuste para una adecuada combustión y altitud," p. 5.

NOTA: A temperaturas inferiores a 35°F / 2°C, **enchufe la unidad y espere 25 a 30 minutos antes de poner la PERILLA DE CONTROL en Heat.** Esto le permite al precalentador del quemador llevar el combustible a la adecuada temperatura operativa. La función de precalentamiento no está disponible en unidades de 230V.

ATENCIÓN. Al menos una vez por día controle los ajustes de la Dragon y las condiciones en la estructura, para cerciorarse de que funciona correctamente.

Controlar la temperatura

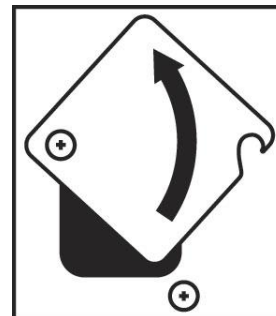
Ajuste la temperatura deseada en el control del TERMOSTATO, entre 70 a 105°F / 21 a 41° C.

Operación continua únicamente del ventilador

Para proveer aire continuo no calefaccionado, coloque la PERILLA DE CONTROL en posición Fan. En este modo, el quemador no trabaja.

ATENCIÓN: Al menos una vez al día controle el funcionamiento de la Dragon. Verifique si hay pérdidas y observe el humo de las emisiones para asegurarse de que permanezca limpio. De ser necesario, ajuste el equipo para una adecuada operación.

Fig. D: Botón para Restablecer el Quemador



Desajusta ambos tornillos y desliza la tapa, tal como se muestra, para acceder al Botón de Reinicio en el interior. Cierre la tapa y ajuste los tornillos al finalizar.

Apagar la unidad

Gire la PERILLA DE CONTROL a la posición "Off".

ATENCIÓN: No desenchufe la unidad ni corte la energía hasta que el ventilador deje de funcionar, ya que de hacerlo interrumpiría el ciclo de refrigeración. Cuando la unidad no completa este ciclo puede generarse un daño en el intercambiador de calor que no será cubierto por la garantía.

INSTRUCCIONES ESPECIALES

La unidad se quedó sin combustible

ADVERTENCIA: Volver a colocar la Placa de Acceso después de cada ajuste. No utilizar si la cubierta no se halla adecuadamente colocada en su lugar. Podría provocar lesiones severas.

1. Depósito de combustible con relleno.
2. Verifique que el cable eléctrico se halle enchufado.
3. Ajuste el termostato bien por encima de la temperatura del ambiente.
4. Ponga el quemador para que caliente.
5. Afloje los tornillos de la tapa de la cubierta y gírela en sentido anihorario (Fig. D).
6. Presione y mantenga el botón para el Paso A (abajo). Si no inicia, avance con el siguiente paso.

Paso A	Paso B	Paso C
Luz parpadeante Clic en el botón Menos de un segundo	Luz parpadeante Presionar botón Más de un segundo	Luz encendida Presionar botón 15+ segundos

7. Si la unidad no se inicia después de varios intentos, consulte el manual del quemador para obtener mayores instrucciones.
8. Cuando la unidad se inicia, cierre y ajuste la tapa de la cubierta.

Ajustes para una adecuada combustión y altitud

ADVERTENCIA: el dragón requiere ajustes especiales cuando se opera a alturas superiores a 6000 pies (1830 m). Estos ajustes deben ser completados por un técnico de HVAC calificado. No opere el dragón por encima de 6000 ft. sin tener la unidad ajustada por un técnico de HVAC calificado.

La relación aire/combustible debe estar correctamente ajustada en todo momento. Para la operación a altitudes inferiores a 6000 pies, la mezcla de aire/combustible puede ser ajustada por el usuario final de la siguiente manera: Si no se siguen estas recomendaciones se anulará la garantía.

El mejor indicador de una adecuada combinación de aire/combustible es el color de las emisiones.

Siempre debe ser claro. El humo negro o blanco indica una combinación inadecuada:

- a) Si la emisión es *limpia*, no hace falta ajustar.
- b) Si es *oscura* o *negra*, no hay suficiente aire.
- c) Si es *blanca*, hay exceso de aire o combustible insuficiente, o hay agua en el tanque.

Si el color del humo es blanco o negro, siga estos pasos para ajustar la tasa de aire/combustible.

La PERILLA DE AJUSTE DE AIRE (Fig. A y E) se halla al costado de la unidad, arriba del filtro de gasoil.

1. Afloje la tuerca y gire el obturador en la dirección correcta:
 - a) Una *mayor apertura corrige el humo negro* (permite mayor ingreso de aire a la cámara de combustión);
 - b) Una *menor apertura corrige el humo blanco* (permite menos ingreso de aire).
2. Ajuste la tuerca de la perilla cuando se logre el resultado correcto

CONSEJO: Si las emisiones continúan siendo blancas después de ajustar una menor apertura, es probable que haya agua en el combustible. Puede que necesite reemplazar el filtro de gasoil o vaciar el tanque (p. 13).

NOTA: Es normal una pequeña cantidad de humo cuando se inicia o se detiene la unidad.

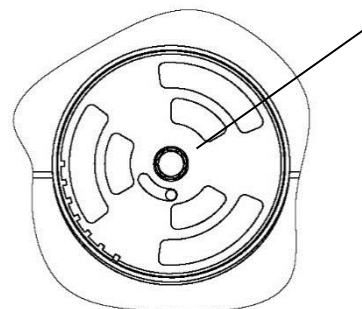
Protección contra sobrecalentamiento

La unidad está automáticamente protegida contra el sobrecalentamiento interno. Si la temperatura interna del intercambiador de calor supera un valor prefijado, el quemador se apagará automáticamente. El ventilador continuará funcionando hasta que se haya enfriado el intercambiador de calor. Una vez refrigerado, el quemador se activará otra vez y la Dragon retomará su normal funcionamiento.

Nota: La causa más común de sobrecalentamiento es un flujo de aire restringido. Para prevenirlo, deberá:

- Hacer que el recorrido del conducto sea lo más recto y de la menor longitud posible

Fig. E: Perilla de Ajuste de Aire



Afloje el tornillo del centro para ajustar el flujo de aire. Vuelva a ajustar al terminar.

Dial adjustment:



Más aire



Menos aire

- Mantener los conductos sin obstrucciones y libres de residuos
- Mantener libre la parrilla de toma de aire

MANTENIMIENTO

ATENCIÓN: Siempre apague y desenchufe la unidad antes de hacerle mantenimiento.

DESCRIPCIÓN	INTERVALOS
1. Limpiar el tanque de gasoil.	Anualmente
2. Reemplazar el filtro de combustible.	Anualmente / según necesidad
3. Mantenimiento del quemador, intercambiador de calor y cámara de combustión.	Anualmente. Sólo lo puede hacer un técnico HVAC.
4. Limpiar la carcasa	Anualmente / según necesidad

1. Limpiar el tanque de combustible.

- Colocar un recipiente adecuado debajo del tapón de drenaje para que recoja el combustible.
- Quitar con una llave el tapón de drenaje.
- Permitir que el tanque se vacíe por completo.
- Volver a colocar el tapón.
- Desechar el combustible respetando las normativas locales.

¡ADVERTENCIA! El gasoil es inflamable y potencialmente explosivo. Siempre apague y desenchufe la Dragon antes de vaciar el tanque de combustible. Mantenerse alejado de toda llama.

2. Reemplazo del filtro de combustible Reemplace el cartucho anualmente o antes cuando esté obstruido. Limpie e inspeccione toda la unidad por dentro y por fuera anualmente. Reemplace la unidad completa en 10 años o antes si está corroída. Los elementos de filtro de combustible de repuesto se pueden comprar en una variedad de minoristas en línea. Elementos aprobados: F15-36, F15-48, F10-48. Cuando repare el filtro, tenga a mano trapos o toallas de papel para limpiar cualquier derrame y deseche el filtro y el combustible residual de acuerdo con las reglamentaciones locales.**3. Mantenimiento del quemador, intercambiador de calor y cámara de combustión**

3. Estos componentes deben ser inspeccionados y reparados una vez al año por un técnico en HVAC calificado. Póngase en contacto con su distribuidor local para que le informe de un centro cercano a su domicilio.

4. Limpiar la carcasa

Utilice un limpiador con un agente desengrasante (ej. Unsmoke Degrease-All) para limpiar la carcasa, según sea necesario.

Mantenimiento

Para solicitar repuestos y servicio de mantenimiento, contáctese con su distribuidor local. En www.LegendBrandsRestoration.com está disponible el

manual de la Dragon así como información relacionada. Ingrese a www.LegendBrandsRestoration.com/Warranty para registrar su compra.



ADVERTENCIA: Este producto y otras sustancias que pueden desprenderse del aire por su uso contienen productos químicos, entre ellos plomo y ftalatos, que el estado de California sabe que causan cáncer, defectos congénitos u otros daños durante la gestación. Para obtener más información, visite P65Warnings.ca.gov.

Accesorios incluidos

- 1 Conducto para altas temperatura de 25 pies (7,6 m) de largo por 12 pulg. (30 cm) de ancho.
- 1 Abrazadera del conducto con hebilla articulada

- 1 Cable de sensor del termostato de 50 pies (15.3 m) con sensor.
- 1 Bonete de salida antilluvia

ESPECIFICACIONES

Modelo	Calentador Portátil Dragon 3600 F535	Calentador Portátil Dragon 3600 F535-230V, F535-230V UK, F535-230V AU
Alto/ancho/Largo	42,5 x 23,7 x 65,1 pulgadas 1,1 x 0.6 x 1,7 m	42,5 x 23,7 x 65,1 pulgadas 1,1 x 0.6 x 1,7 m
Peso (vacío)	250 libras 113,4 kg	250 libras 113,4 kg
Peso (lleno)	495 libras 224,5 kg	495 libras 224,5 kg
Energía	9,2 amp, 115 volt, 60 Hz	3,6 amp, 230 volt, 50 Hz
Salida neta de calor	120,000 BTU/hr 35,2 kWh	120,000 BTU/hr 35,2 kWh
Flujo de aire	680 CFM con pantalla protectora 780 CFM sin pantalla protectora	640 CFM con pantalla protectora 750 CFM sin pantalla protectora
Nivel sonoro (prom .)	80.2 dB with weather shield 82.5 dB without weather shield	80.2 dB with weather shield 82.5 dB without weather shield
presión de aire estática	0.50 in. H ₂ O 125 Pa	0.50 in. H ₂ O 125 Pa
Capacidad del tanque	32 gal. 121 litros, máximo	32 gal. 121 litros, máximo
Tipo de combustible	Diesel / gasoil	Diesel / gasoil
Tasa de consumo de combustible	.80 gal./hora 3,1 litros/hora	.80 gal./hora 3,1 litros/hora
Presión de la bomba de combustible	140 psi 965,3 kPa	140 psi 965,3 kPa

Manuel du propriétaire Dragon 3600 Mobile Furnace

Modèle F535 (115V & 230V)

LEGEND BRANDS, INC.

15180 Josh Wilson Road, Burlington, WA 98233

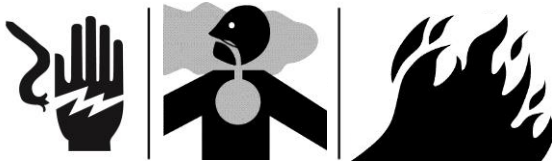
Téléphone : 800-932-3030 Télécopieur : 360-757-7950 www.LegendBrandsRestoration.com

Le Dragon 3600 Mobile Furnace est un générateur à combustion indirecte qui génère de l'air chaud pour assèchement après un dégât d'eau, séchage structurel, construction, abri et autres applications de chauffage temporaires.

Patents: <http://www.LBpatents.com>

LIRE ET CONSERVER CES INSTRUCTIONS

ATTENTION



ATTENTION! Le non-respect des instructions et des précautions du Manuel du propriétaire peut causer la mort, des blessures corporelles importantes et/ou des pertes matérielles ou dommages causés par le feu, une explosion, des brûlures, l'asphyxie, une intoxication au monoxyde de carbone et/ou une décharge électrique.

ATTENTION! Ne jamais modifier cet appareil. N'utiliser que des pièces de rechange autorisées par Dri-Eaz Products, Inc. La modification ou l'utilisation de pièces non agréées pourraient entraîner un danger et annuleront votre garantie. Contacter votre distributeur Dri-Eaz pour obtenir de l'aide.

ATTENTION! Vérifier que le rapport air-carburant du Dragon 3600 est adéquat avant chaque utilisation. L'omission d'adapter l'alimentation de carburant au changement d'altitude peut entraîner des blessures, des dommages permanents à l'appareil et des dommages secondaires s'il est lié à une structure. La garantie Dri-Eaz pourrait être annulée. Voir « Adaptation à l'altitude », p. 19, pour les instructions.

ATTENTION! Inhalation dangereuse. Le carburant contient du monoxyde de carbone mortel. N'utiliser qu'en espaces ouverts à l'extérieur. Ne JAMAIS utiliser à l'intérieur ou dans des espaces clos.

ATTENTION! Danger de feu et d'explosion

- Le brûleur produit des étincelles et des flammes et l'appareil se réchauffe lorsqu'utilisé.
- Tenir loin de vapeurs inflammables, comme celles de l'essence, de diluants à peinture ou de solvants.
- Tenir loin de poussières combustibles comme la poussière de charbon ou de sciure de bois.
- Tenir l'appareil à au moins 2 m (8 pi) de tout matériel combustible.
- Tenir éloigné des enfants et des animaux.
- Le diesel est inflammable et peut exploser.
- Ne pas fumer en utilisant, réparant ou ravitaillant le Dragon.
- Avant de ravitailler, éteindre l'appareil, le laisser refroidir, puis le débrancher.
- Les surfaces chaudes peuvent enflammer les vapeurs de carburant.

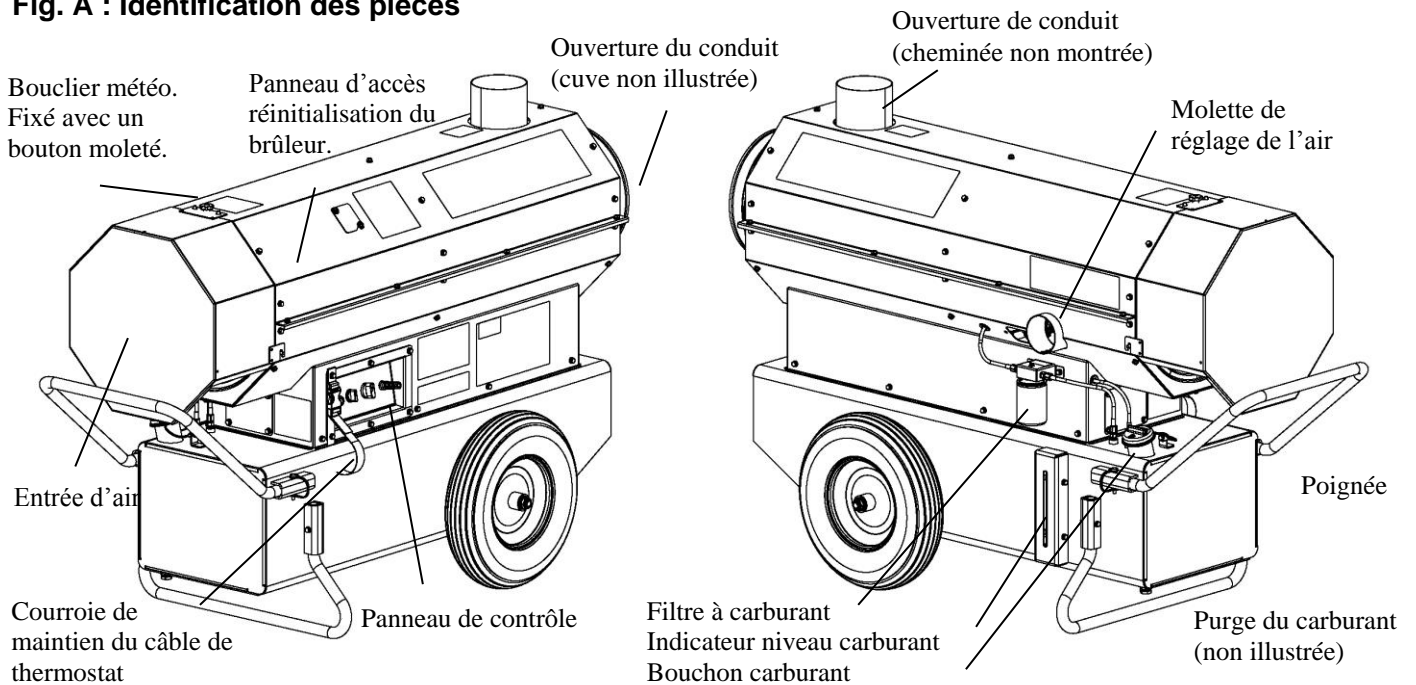
ATTENTION! Danger d'électrocution

- Brancher à une unité d'alimentation de 115 V ou 230V à l'aide d'une rallonge de 12/3 AWG x 15 m (50 pi) ou 10/3 AWG x 30 m (100 pi).
- L'appareil doit être mis à la terre. N'utiliser qu'une prise de terre à 3 trous.
- Ne jamais modifier la fiche, la rallonge, ou utiliser un adaptateur.
- Ne jamais faire fonctionner dans des flaques d'eau ou de l'eau stagnante. Si des composantes électriques sont humides, laisser sécher avant utilisation.

Identification du produit

Une plaque d'identification est fixée sur le côté de l'appareil. Elle contient l'année de production, le numéro de série, les exigences en alimentation, l'écoulement d'air, la capacité en carburant et le code

Fig. A : Identification des pièces



de production.

AVANT DE COMMENCER

Enregistrement de la garantie

Visitez le www.LegendBrandsRestoration.com/Warranty pour enregistrer votre achat. Ceci nous permet de mieux vous aider à utiliser, entretenir ou réparer votre équipement et de vous contacter si nous avons des consignes de sécurité importantes en lien avec votre produit Dri-Eaz. Si vous croyez la réparation nécessaire, ayez en main le modèle, le numéro de série et la preuve d'achat de votre équipement et appelez votre distributeur pour de l'aide dans l'obtention d'une autorisation de retour de marchandise (RMA).

SURVOL

Le générateur Dragon 3600 Mobile Furnace est un générateur à combustion indirecte. Ce concept maintient l'air de combustion séparé de l'air chauffé et permet au Dragon de chauffer l'air sans y ajouter humidité, vapeurs ou fumée.

Le Dragon doit toujours être utilisé à l'extérieur, et doit utiliser l'air extérieur pour la combustion. Un ventilateur électrique dirige l'air chauffé dans la structure par un conduit. Le thermostat met en marche et arrête automatiquement le Dragon afin de maintenir la température prédéfinie de la zone cible.

Principes d'utilisation

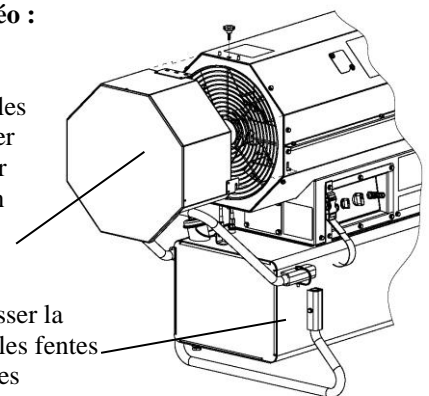
La chaleur nette et sèche du Dragon permet la réduction du temps de séchage tout en maintenant des températures stables et confortables. Il est parfait pour une large gamme d'applications, y compris

- Assèchement après un dégât d'eau
- Assèchement de nouvelles constructions
- Milieux de travail non chauffés
- Abris temporaires
- Ateliers et entrepôts
- Serres et tunnels en polyuréthane pour l'agriculture
- Toute situation demandant une chaleur temporaire nette et sèche

Fig. B : Installation bouclier météo et poignée

Bouclier météo :

Placer les supports inférieurs sur les axes et abaisser en place. Fixer avec le boulon moleté.



Poignée : Glisser la poignée dans les fentes et fixer avec les goupilles fendues.

Le Dragon accroît l'efficacité de l'assèchement en cas de dégât d'eau ou de nouvelle construction. La chaleur du Dragon accroît le taux d'évaporation en réduisant l'humidité relative de la zone touchée. Augmenter la température d'une zone de séchage à l'aide du Dragon de 15 °C à 21 °C peut accroître jusqu'à 45 % le potentiel d'évaporation de votre système de séchage actuel.

Pour de meilleurs résultats, vous devez comprendre les principes de base du séchage structurel. Vous pouvez apprendre ces compétences au cours de séchage structurels offerts dans votre région. Contactez votre distributeur local pour plus d'informations.

INSTRUCTIONS DE MISE À LA TERRE

Le Dragon 3600 Mobile Furnace est conçu pour fonctionner sur une connexion électrique de 115V / 60 Hz ou 230V / 50Hz. L'appareil nécessite 8 ampères. Assurez-vous que la prise électrique est mise à la terre à l'aide de trois fourches. Utilisez une rallonge mise à la terre conçue pour usage externe et capable de fournir assez d'énergie au Dragon.

ATTENTION! Une mauvaise connexion du conducteur de l'équipement de mise à la terre peut causer un risque d'électrocution. Consultez un électricien ou un réparateur qualifié si vous n'êtes pas certain que les prises sont bien mises à la terre. Ne modifiez pas les prises fournies avec l'appareil – si elles ne conviennent pas aux fiches, faites-en installer des convenables par un électricien qualifié.

Cet appareil doit être utilisé sur des circuits à intensité nominale ne dépassant pas 120 V ou 240V.

Conçu pour un usage domestique et commercial.

MANIPULER AVEC SOIN

Toujours placer sur une surface stable et plane. Ne pas laisser tomber, lancer ou placer là où il y a risque de chute. Une manipulation brusque peut endommager l'appareil, créer des conditions hasardeuses ou annuler la garantie.

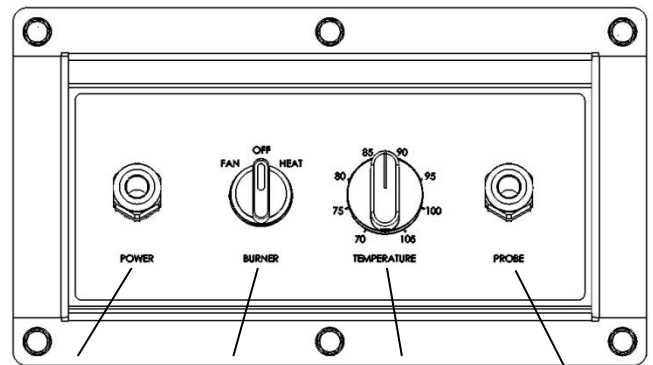
TYPE DE CARBURANT

Le Dragon est conçu pour fonctionner avec du diesel. Par temps froid, voir « Conseils par temps froid » ci-dessous.

ATTENTION : L'omission d'utiliser du carburant diesel comme indiqué peut causer des blessures ou endommager l'appareil de façon permanente. La garantie Dri-Eaz pourrait être annulée.

Pour de meilleurs résultats, acheter du combustible frais chez un distributeur fiable. Garder le réservoir du

Fig. C : Panneau de contrôle



Connexion du cordon d'alimentation Bouton de commande Bouton de contrôle température Câble de la sonde du thermostat

Dragon plein pour éviter la formation de condensation dans celui-ci. En cas d'inactivité prolongée, nous vous recommandons d'ajouter le stabilisateur de carburant diesel, comme indiqué ci-dessous.

Conseils par temps froid

Pour optimiser la qualité du carburant et améliorer les performances à froid, utilisez un stabilisateur de carburant diesel. Suivez les instructions du produit.

Augmentation de l'échauffement

En conditions normales (au-dessus de 2 °C/35 °F), le bouclier météo peut être retiré lors du fonctionnement du Dragon. Cependant, dans des conditions où la température extérieure est très basse (sous 2 °C/35 °F), la température de l'air chauffé peut être accrue en laissant le bouclier météo en place. Le retrait du bouclier augmente le flux d'air d'environ 100 pi³/min / 680 m³/hr mais abaisse la chaleur produite par le Dragon.

AVANT LA PREMIÈRE UTILISATION

L'appareil vient avec une trousse d'accessoires comprenant 1) bague de conduit de la sortie d'air chaud, 2) 7,6 m/25 pi de conduits semi-rigides, 3) une poignée et 2 axes d'assemblage, 4) bouclier météo, et 5) cheminée d'échappement et capuchon. Un câble détecteur thermique est fixé de façon permanente à l'appareil et est prêt à être utilisé.

Installation de la poignée

Glisser la poignée dans les fentes sur les côtés du réservoir de carburant. Insérer les axes aux deux côtés et fixer à l'aide d'une bague de serrage. Voir Fig. B.

Installation de la bague du conduit de sortie d'air

Installer sur le conduit de sortie d'air chaud en vous servant des 8 vis incluses.

Installation du bouclier météo

Placer le bouclier sur les bornes inférieures en premier, puis abaisser en place sur les deux bornes supérieures. Voir Fig. B.

Préparation du Dragon

Choix de l'emplacement

ATTENTION! Utiliser à l'extérieur seulement. Placer sur une surface plane et stable. Vous assurer de toujours caler les roues pour que l'appareil ne se déplace pas. Choisir un endroit éloigné des zones achalandées, des enfants et des animaux, et vous assurer que l'entrée d'air n'est pas obstruée.

AVIS : Garder les bouches d'entrée d'air propres et libres d'obstructions. Éviter de placer l'appareil à un endroit où l'entrée d'air pourrait être bloquée ou restreinte. L'appareil produirait alors une fumée noire, ce qui risquerait d'endommager celui-ci et la structure étant chauffée.

AVIS : Installer et utiliser le Dragon dans le respect de la réglementation locale et régionale.

Remplir le réservoir de carburant

Le Dragon est livré avec le réservoir de carburant vide. Avant utilisation, remplir le réservoir de diesel. Ne pas trop remplir.

Par temps glacial, voir « Conseils par temps froid », p. 17.

AVIS : Ne jamais utiliser de l'essence ou des écoulements de carter comme carburant.

AVIS : Ne pas ouvrir le bouchon du réservoir de carburant ou remplir le réservoir quand l'appareil est en marche.

Fixer le tuyau d'échappement

Avant d'utiliser le Dragon, fixer le tuyau d'échappement fourni avec capuchon à l'ouverture du conduit, en glissant le tuyau sur l'ouverture (Fig. A). Si le tuyau n'est pas bien ajusté, visser de petites vis à tôle à la base du tuyau dans la sortie de l'échappement pour bien fixer le tuyau. Afin d'éviter tout dommage à l'appareil, retirer le tuyau lors du transport du Dragon.

AVIS : Ne pas mettre le Dragon en marche sans le tuyau d'échappement en place.

Installation du conduit

1. Fixer le conduit à la sortie d'air chaud (Fig. A) à l'aide du crampon fourni.
2. Fixer l'autre bout du conduit à une entrée d'air convenable dans la structure.

Placer la sonde du thermostat

Placer la sonde du thermostat dans l'espace chauffé. Pour un contrôle plus précis, placer la sonde à un endroit où l'air circule librement. Le brûleur s'éteint automatiquement lorsque la température de la zone surveillée atteint la valeur de consigne, ou un maximum de 41 °C (105 °F), afin de respecter la clause Safe Harbor de la RIA.

Brancher l'appareil

Utiliser une rallonge pour connecter l'appareil à un circuit de 115 V ayant une capacité d'au moins 10 ampères. Unités 230V doivent être connectés à des circuits prévus pour au moins 10 ampères. Sur les unités 115V, la fiche du cordon brille quand l'électricité est présente.

UTILISATION DU DRAGON

Inspecter l'appareil avant utilisation

ATTENTION! Avant la mise en marche :

- Vérifier l'absence de fuites autour du réservoir ou du tuyau de carburant.
- Vérifier l'absence de dangers (ex. : matériaux combustibles ou sources de vapeurs inflammables).
- Vérifier l'absence de dommages au cordon d'alimentation.

Régler ceux-ci et tout autre danger potentiel avant de mettre en marche le Dragon.

Mise en marche du Dragon

1. Examiner le réservoir de carburant. Voir Type de carburant (p. 17), pour les carburants recommandés.
2. BOUTON DE COMMANDE à la position Heat (Fig. C).

Vous entendrez s'allumer le brûleur. Il fonctionnera quelques minutes jusqu'à ce que l'échangeur de chaleur interne atteigne la température de fonctionnement. Puis le ventilateur se mettra en marche et l'appareil commencera à produire de la chaleur.

AVIS : C'est normal de voir une petite quantité de fumée à la mise en marche ou à l'arrêt de l'appareil. Si celle-ci dure plus que quelques secondes, éteindre l'appareil et voir « Adaptation à l'altitude », p. 19.

AVIS : Si la température est de 2 °C / 35 °F ou en dessous, **attendre 25 à 30 minutes après avoir branché l'appareil avant de tourner le BOUTON DE COMMANDE à Heat.** Le préchauffage du gicleur du brûleur aura le temps de chauffer le carburant à la bonne température de fonctionnement. La fonction de préchauffage ne sont pas disponibles sur les unités 230V.

AVIS. Surveiller les paramètres du Dragon et les conditions de la structure au moins une fois par jour pour en assurer le bon fonctionnement.

Contrôle de la température

Régler la température désirée sur F sur le contrôle THERMOSTAT entre 21 et 41 °C / 70–105 °F.

Ventilation continue seulement

Pour de l'air non chauffé continu, placer le BOUTON DE COMMANDE à la position Fan. Le brûleur ne fonctionne pas dans ce mode.

AVIS : Examiner physiquement le Dragon au moins une fois par jour pendant l'utilisation. Vérifier l'absence de fuites, et observer la fumée d'échappement qui doit toujours être claire. Faire les ajustements nécessaires.

Éteindre l'appareil

Mettre le BOUTON DE COMMANDE à la position Off.

AVIS : Ne pas débrancher ou éteindre l'appareil avant que le ventilateur n'ait cessé de fonctionner, ce qui pourrait interrompre le cycle de refroidissement. Le défaut de laisser l'appareil compléter ce cycle pourrait endommager l'échangeur de chaleur et ne sera pas couvert par la garantie.

INSTRUCTIONS PARTICULIÈRES

L'appareil est en panne

ATTENTION : Replacer la plaque d'accès après chaque ajustement. Ne pas utiliser sans le capuchon bien en place. Risque de blessures sévères.

1. Réservoir de carburant avec recharge.
2. Vérifier que l'alimentation électrique est sous tension.
3. Régler le thermostat bien au-delà de la température ambiante.
4. Mettre le brûleur en position de chaleur.
5. Desserrer les vis de la plaque de protection et tourner dans le sens anti-horaire (Fig. D).
6. Maintenir le bouton enfoncé comme à l'étape A (ci-dessous). Si l'appareil ne démarre toujours pas, procéder à l'étape suivante.
7. Si l'appareil ne démarre pas après plusieurs tentatives, consultez le manuel du brûleur pour des instructions supplémentaires.
8. Une fois que l'appareil démarre, refermer et fixer la plaque d'accès.

Adaptation à l'altitude et combustion appropriée

AVERTISSEMENT: le Dragon nécessite des ajustements spéciaux lorsqu'il fonctionne à des

altitudes supérieures à 6000 pi (1830 m). Ces ajustements doivent être effectués par un technicien de CVC qualifié. Ne pas faire fonctionner le dragon au-dessus de 6000 ft sans que l'appareil soit réglé par un technicien de CVC qualifié.

Le rapport air/carburant doit être correctement ajusté en tout temps. Pour un fonctionnement à des altitudes inférieures à 6000 ft, le mélange air/carburant peut être ajusté par l'utilisateur final comme suit: le non-respect de ces recommandations annule la garantie.

Le meilleur guide pour un mélange air-carburant approprié est la couleur de l'échappement. Il doit toujours être clair. Une fumée noire ou blanche est le signe d'un mélange inapproprié :

- a) Si l'échappement est *clair*, aucun ajustement nécessaire.
- b) Si la fumée est *noire* ou *foncée*, il n'y a pas assez d'air dans le mélange.
- c) Si la fumée est *blanche*, il y a trop d'air et pas assez de carburant dans le mélange, ou il y a de l'eau dans le carburant.

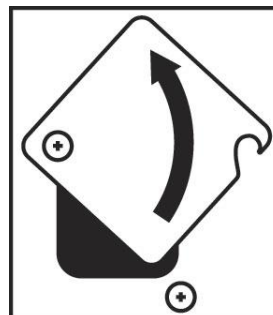
Si la fumée est *noire* ou *blanche*, suivre ces étapes pour ajuster le ratio air-carburant.

Le CADRAN D'AJUSTEMENT D'AIR (Figs. A, E) se trouve sur le côté de l'appareil, au-dessus du filtre du carburant.

1. Desserrer le boulon et tourner le cadran dans la direction appropriée :
 - a) Une *ouverture plus large* contre la fumée noire (plus d'air dans la chambre de combustion);
 - b) Une *plus petite ouverture* contre la fumée blanche (moins d'air).
2. Serrer le boulon du cadran après ajustement.

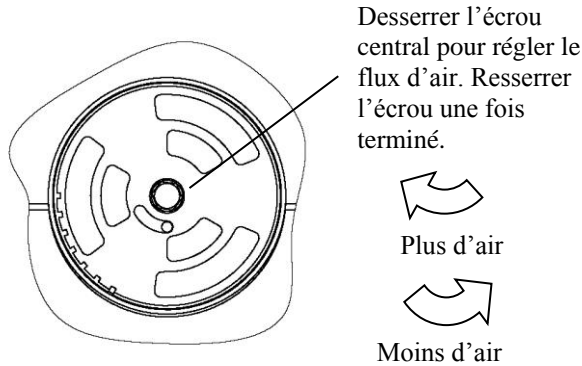
ASTUCE : Si la fumée est blanche même après avoir rétréci le plus possible l'ouverture, il y a probablement de l'eau dans le carburant. Vous devrez peut-être

Fig. D : Plaque d'accès, bouton de réinitialisation du brûleur



Desserrer les boulons de la plaque pivotante comme indiqué pour accéder au bouton de réinitialisation du brûleur. Refermer la plaque et resserrer les boulons une fois terminé.

Fig. E : Cadran d'ajustement d'air



remplacer le filtre du carburant et/ou nettoyer le réservoir (p. 20).

AVIS : Il est normal de voir une petite quantité de fumée lors de la mise en marche ou l'arrêt de l'appareil.

Protecteur de surcharge thermique

L'appareil est automatiquement protégé contre la surcharge thermique interne. Si la température interne de l'échangeur de chaleur excède une valeur fixée, le brûleur s'éteint automatiquement. Le ventilateur continuera de fonctionner jusqu'à ce que l'échangeur d'air ait refroidi. Une fois celui-ci refroidi, le brûleur s'allume automatiquement et le Dragon fonctionne normalement.

Avis : La cause la plus courante de surcharge thermique est une circulation d'air restreinte. Pour prévenir la surcharge thermique, vous devez

- Garder les conduits aussi droits et courts que possible
- Garder les conduits libres et sans débris
- Garder la grille de l'entrée d'air libre

ENTRETIEN

AVIS : Toujours éteindre l'appareil et le débrancher avant l'entretien.

DESCRIPTION	INTERVALLE
1. Nettoyer le réservoir de carburant.	Annuellement
2. Remplacer le filtre de carburant.	Au besoin/Annuellement
3. Entretenir le brûleur, l'échangeur de chaleur et la chambre de combustion.	Annuellement. Technicien HVAC seulement.
4. Nettoyer le boîtier	Au besoin/Annuellement

1. Nettoyer le réservoir de carburant.

- a. Placer un contenant approprié sous le bouchon de vidange pour récupérer le carburant.
- b. Retirer le bouchon de vidange à l'aide d'une clé anglaise.

- c. Remplacer le bouchon de vidange.
- d. Jeter tout restant de carburant dans le respect de la réglementation locale.

ATTENTION! Le diesel est inflammable et potentiellement explosif. Toujours éteindre et débrancher le Dragon avant de vider le réservoir. Tenir éloigné de flammes nues.

2. Remplacer le filtre de carburant

Remplacez la cartouche chaque année ou plus tôt lorsqu'elle est bouchée. Nettoyez et inspectez toute l'unité à l'intérieur et à l'extérieur chaque année. Remplacez l'ensemble de l'appareil dans 10 ans ou plus tôt s'il est corrodé. Les éléments de filtre à carburant de rechange peuvent être achetés chez divers détaillants en ligne. Éléments approuvés: F15-36, F15-48, F10-48. Lors de l'entretien du filtre, ayez des chiffons ou des essuie-tout sous la main pour nettoyer tout déversement, et éliminez le filtre et les résidus de carburant conformément à la réglementation locale.

3. Entretien le brûleur, l'échangeur de chaleur et la chambre de combustion.

3. Cette composante doit être inspectée et entretenue par un technicien HVAC qualifié une fois par année. Contacter votre distributeur local pour trouver un centre de services près de chez vous.

4. Nettoyer le boîtier

Utiliser un produit nettoyant avec agent dégraissant comme Unsmoke Degrease-All pour nettoyer le boîtier au besoin.

Réparation

Contactez votre distributeur local pour les pièces et réparations. Des copies du manuel du Dragon et des renseignements connexes sont disponibles au www.LegendBrandsRestoration.com. Visiter le www.LegendBrandsRestoration.com/Warranty pour enregistrer votre achat.



MISE EN GARDE: Ce produit et d'autres substances, qui peuvent être libérés dans l'air lors de l'utilisation, contiennent des produits chimiques, parmi lesquels le plomb et les phtalates, considérés par l'État de Californie comme vecteurs de cancer, d'anomalies congénitales ou d'autres troubles de la reproduction. Pour plus d'informations, rendez-vous sur P65Warnings.ca.gov

Accessoires inclus

- 1 Section de 7,6 m / 25 pi de 30 cm / 12 po de conduit à température élevée.
- 1 Crampon en boucle articulé pour conduits.
- 1 Câble de sonde à thermostat de 15,3 m / 50 pi avec sonde.
- 1 Tuyau d'échappement et capuchon
- 1 Manuel du propriétaire

CARACTÉRISTIQUES

Modèle	Dragon 3600 Portable Heater F535	Dragon 3600 Portable Heater F535-230V, F535-230V UK, F535-230V AU
Dimensions (H x P x L)	42,5 x 23,7 x 65,1 po. 1,1 x 0,6 x 1,7 m	42,5 x 23,7 x 65,1 po. 1,1 x 0,6 x 1,7 m
Poids (vide)	250 lb 113,1 kg	250 lb 113,1 kg
Poids (plein)	495 lb 224,5 kg	495 lb 224,5 kg
Puissance	9,2 A, 115 V, 60 Hz	3,6 A, 230 V, 50 Hz
Sortir d'air net	120 000 Btu/h 35,2 kWh	120 000 Btu/h 35,2 kWh
Flux d'air	680 pi ³ /min avec bouclier météo 780 pi ³ /min sans bouclier météo	640 pi ³ /min avec bouclier météo 750 pi ³ /min sans bouclier météo
Niveau sonore	80.2 dB with weather shield 82.5 dB without weather shield	80.2 dB with weather shield 82.5 dB without weather shield
La pression statique de l'air	0.50 in. H ₂ O 125 Pa	0.50 in. H ₂ O 125 Pa
Capacité réservoir	32 gal 121 litres maximum	32 gal 121 litres maximum
Type de carburant	Diesel	Diesel
Taux de consommation de carburant	0,80 gal/h 3,1 litre/h	0,80 gal/h 3,1 litre/h
Pression de la pompe de carburant	140 psi 965,3 kPa	140 psi 965,3 kPa